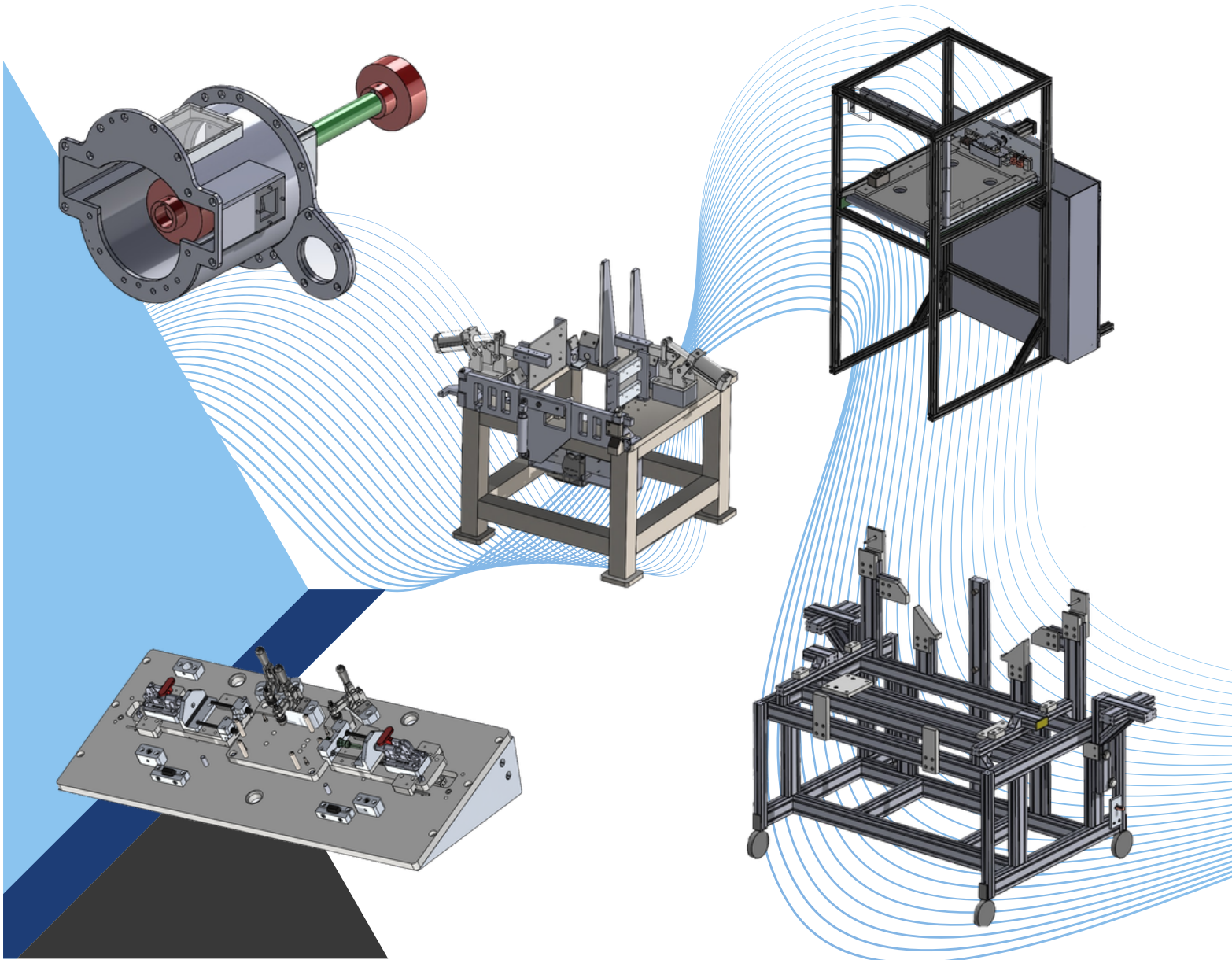


# 3D MODELING & DESIGN

*Emerging Technologies*

#INNOVATIONINTEST



## Form and Function

With over 20 years of manufacturing experience applying innovative methods and techniques, Emerging Technologies LLC has experience and resources to develop solutions that improve operator ergonomics, ease of assembly, and mistake resistant assembly.

## Technology at Work

Take advantage of the latest materials, state of the art planning and development software and procedures. 3D Design tools, precision CNC machine tools, and expert assembly and verification skills complete the suite resulting in technically sound solutions.

## Customer Focused

Emerging Technologies offers detailed order status throughout the project, such as weekly status updates, up to date schedule information, and anticipated completion date. Our detailed design review process allows for customer approval prior to the start of the construction.

With the ability to import from and export to industry standard STEP files, designs can be created and/or revised with the ability to be moved from development system. Completed designs can be provided not only in 3D model format, but can include Bill of Materials, 2D parts drawings, 3D PDF, 2d PDF formats and more.

Of course, 3D designs encompass more than simply creating the model. Materials selections, materials hardness concerns, sheet metal layouts, and weldment details are a few of the considerations among

many that are addressed during the design phase.

3d Designs can range from simple to individual parts to complex system of parts. Taking advantage of virtual 3D model space makes it convenient to see how separate parts will interface and how the movement of parts will impact each other and the overall design.

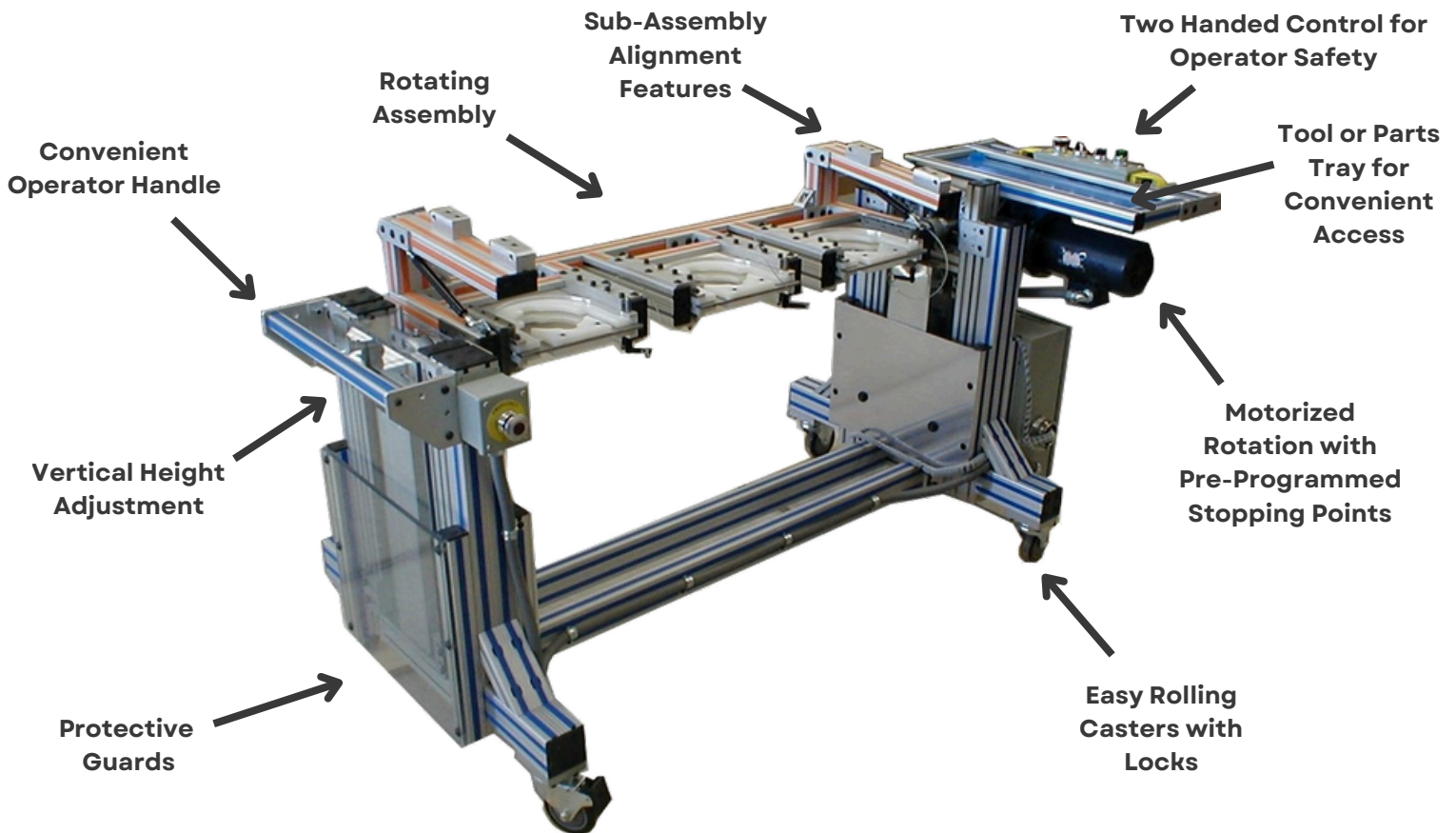
From hand sketch to finished part or system including SolidWorks 3D model, 3D printed or CNC machined samples,

Emerging technologies get it done!

Emerging Technologies goes beyond the design and drafting with the ability construct and verify the final designs from prototypes to final devices or anywhere in between.

Emerging Technologies has experience designing test fixtures, part and assembly fixtures, adapters and interfaces, manufacturing, and assembly carts and more.

## Custom Adjustable Assembly Cart Shown for Example Purpose



920-793-2782



info@emergingtech-llc.com



emergingtech-llc.com